

## GV-MFD1501 1.3MP H.264 Super Low Lux WDR Mini Fixed Dome



- 1.3 Megapixel Progressive Scan super low lux CMOS
  - Min. illumination at 0.01 lux
  - Dual streams from H.264 and MJPEG
  - Up to 30 fps at 1280 x 1024
  - Day and night function (electronic)
  - USB slot for GV-WiFi Adapter or USB hard drive
  - Built-in micro SD card slot (SD/SDHC) for local storage
  - Active Tampering alarm
  - Wide Dynamic Range (WDR)
  - 3D DNR (Digital Noise Reduction)
  - Two-way audio
  - Defog
  - Motion detection
  - Privacy mask
  - IP address filtering
  - iPhone, iPad, Android
  - DC 5V / PoE
  - Megapixel lens
  - Supports iPhone, iPad, Android & 3GPP
  - 31 languages on Web interface
  - ONVIF (Profile S) conformant
- \* No Memory card slot & local storage function for Argentina.

### Introduction

The GV-MFD1501 Series offers an indoor, fixed, mini-sized network camera with various lens options. The camera is equipped with a Super Low Lux CMOS image sensor with which the camera is capable of providing a color live view in near darkness. The camera's USB port which supports wireless connection through GV-WiFi Adapter (optional) or an external storage using a USB hard drive.

### Active Tampering Alarm

Tampered



Focus Change



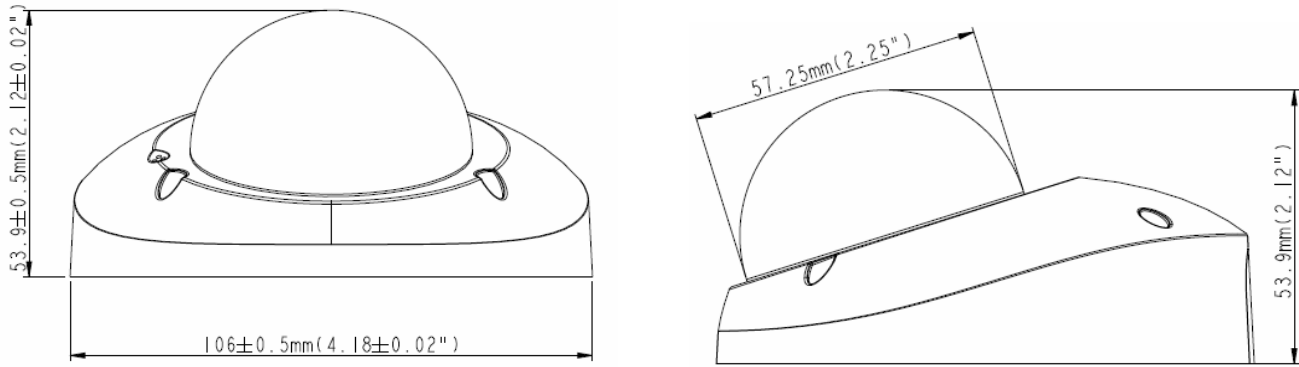
Camera Shift



### Models

| Models     | Iris  | Focal Length (mm) | Maximum Aperture | Image Format |
|------------|-------|-------------------|------------------|--------------|
| MFD1501-0F | Fixed | 3 mm              | F/2.0            | 1/3"         |
| MFD1501-1F |       | 4 mm              | F/1.5            |              |
| MFD1501-2F |       | 8 mm              | F/1.6            |              |
| MFD1501-3F |       | 12 mm             |                  |              |
| MFD1501-4F |       | 2.1 mm            | F/1.8            |              |

## Dimensions



## Specifications

| Camera               |              | GV-MFD1501-0F   | GV-MFD1501-1F | GV-MFD1501-2F | GV-MFD1501-3F | GV-MFD1501-4F |
|----------------------|--------------|---|---------------|---------------|---------------|---------------|
| Image Sensor         |              | 1/3" progressive scan super low lux CMOS  |               |               |               |               |
| Picture Elements     |              | 1280 (H) x 1024 (V)   |               |               |               |               |
| Minimum Illumination | Color<br>B/W | 0.01 Lux  |               |               |               |               |
| Shutter Speed        |              | Automatic, Manual (1/5 ~ 1/8000 sec.)   |               |               |               |               |
| White Balance        |              | Automatic, Manual (2800K ~ 8500K)   |               |               |               |               |
| Gain Control         |              | Automatic   |               |               |               |               |
| S/N Ratio            |              | 55 dB   |               |               |               |               |
| WDR                  |              | Yes   |               |               |               |               |
| Lens                 |              |   |               |               |               |               |
| Megapixel            |              | Yes   |               |               |               |               |
| Day/Night            |              | Yes (Electronic)  |               |               |               |               |
| Iris                 |              | Fixed   |               |               |               |               |
| Focal Length         |              | 3 mm  | 4 mm          | 8 mm          | 12 mm         | 2.1 mm        |
| Maximum Aperture     |              | F/2.0   | F/1.5         | F/1.6         | F/1.6         | F/1.8         |
| Mount                |              | M12, Pitch 0.5 mm   |               |               |               |               |
| Image Format         |              | 1/3"  |               |               |               |               |
| Operation            | Focus        | Fixed   |               |               |               |               |
|                      | Zoom         | Fixed   |               |               |               |               |
|                      | Iris         | Fixed   |               |               |               |               |
| Operation            |              |   |               |               |               |               |
| Video Compression    |              | H.264, MJPEG  |               |               |               |               |
| Video Streaming      |              | Dual streams from H.264 and MJPEG   |               |               |               |               |
| Frame Rate           |              | 30 fps at 1280 x 1024<br>* The frame rate and the performance may vary depending on the number of connections and data bitrates (different scenes).               |               |               |               |               |
| Image Setting        |              | Brightness, Contrast, Sharpness, Gamma, White Balance, Flicker-less 50/60 Hz, Image Orientation, Shutter Speed, Backlight Compensation, WDR, Defog, Super Low Lux |               |               |               |               |
| Audio Compression    |              | G.711   |               |               |               |               |
| Sensor Input         |              | No  |               |               |               |               |
| Alarm Output         |              | No  |               |               |               |               |
| Video Resolution     |              |   |               |               |               |               |
| Main Stream          | 4:3          | 1280 x 960, 640 x 480, 320 x 240  |               |               |               |               |
|                      | 16:9         | 1280 x 720, 640 x 360, 448 x 252  |               |               |               |               |
|                      | 5:4          | 1280 x 1024, 640 x 512, 320 x 256   |               |               |               |               |
| Sub Stream           | 4:3          | 640 x 480, 320 x 240  |               |               |               |               |
|                      | 16:9         | 640 x 360, 448 x 252  |               |               |               |               |
|                      | 5:4          | 640 x 512, 320 x 256  |               |               |               |               |

| Network                 |  |   |
|-------------------------|--|---|
| Interface               | 10/100 Ethernet  |   |
| Ethernet Protocol       | DHCP, DynDNS, FTP, HTTP, HTTPS, NTP, ONVIF (Profile S), PSIA, QoS (DSCP), RTSP, SNMP, SMTP, TCP, UDP, UPnP, 3GPP/ISMA  |   |
| Mechanical              |  |   |
| Temperature Detector    | Yes  |   |
| Camera Angle Adjustment | Pan  | -45° ~ 45°  |
|                         | Tilt   | 0° ~ 90°  |
| Connectors              | Power  | 2-pin terminal block, PoE                                     |
|                         | Ethernet   | Ethernet (10/100 Base-T), RJ-45                               |
|                         | Audio  | 1 In (built-in microphone),<br>1 Out (RCA female for speaker) |
|                         | USB  | GV-WiFi Adapter or USB hard drive                             |
| Local Storage           | Micro SD card slot (SD/SDHC, SD version 2.0 only, Class 10)<br>* <b>SDXC</b> and <b>UHS-I</b> card types are not supported.  |   |
| LED Indicator           | 4 LEDs: Link, ACT, Power, Status   |   |
| General                 |  |   |
| Camera Housing          | black, white   |   |
| Environment Temperature | 0 °C ~ 50 °C (32 °F ~ 122 °F)  |   |
| Humidity                | 10% to 90% (no condensation)   |   |
| Power Source            | 5V DC/PoE (IEEE 802.3af)   |   |
| Max. Power Consumption  | 6 W  |   |
| Dimension               | ∅ 106 x 53.9 mm (4.2" x 2.1")  |   |
| Weight                  | 280 g (0.62 lb)  |   |
| Regulatory              | CE, FCC, C-Tick, RoHS compliant  |   |
| Power over Ethernet     |  |   |
| PoE Standard            | IEEE 802.3af Class 3 Power over Ethernet / PD  |   |
| PoE Power Supply Type   | End-Span   |   |
| PoE Power Output        | Per Port 48V DC, 350mA. Max. 15.4 watts  |   |
| Web Interface           |  |   |
| Installation Management | Web-based configuration  |   |
| Maintenance             | Firmware upgrade through Web Browser or Utility  |   |
| Access from Web Browser | Camera Live View, Video Recording, Change Video Quality, Bandwidth Control, Image Snapshot, Digital I/O Control, Audio, Picture in Picture, Picture and Picture, Privacy Mask, Text Overlay, Digital PTZ   |   |
| Language                | Arabic / Bulgarian / Czech / Danish / Dutch / English / Finnish / French / German / Greek / Hebrew / Hungarian / Indonesian / Italian / Japanese / Lithuanian / Norwegian / Persian / Polish / Portuguese / Romanian / Russian / Serbian / Simplified Chinese / Slovakian / Slovenian / Spanish / Swedish / Thai / Traditional Chinese / Turkish |   |
| Applications            |  |   |
| Network Storage         | GV-NVR, GV-System, GV-Backup Center, GV-Recording Server   |   |
| Smart Device Access     | GV-Eye for Android smartphone, tablet, iPhone, and iPod Touch<br>GV-Eye HD for iPad  |   |
| Live Viewing            | IE, mobile phone   |   |
| CMS Server support      | GV-Control Center, GV-Center V2, GV-VSM  |   |



**Note:**

- Mind the following limitations and requirements for the USB port:
  - The USB hard drive must be of 2.5" or 3.5", version 2.0 or above
  - The USB hard drive's storage capacity must not exceed 2TB
  - USB flash drives and USB hubs are not supported
  - External power supply is required for the USB hard drive
  - To connect the GV-WiFi Adapter, make sure it is connected before the camera is powered on.
- Specifications are subject to change without notice.

## Packing List

- |                           |                                     |
|---------------------------|-------------------------------------|
| 1. Mini Fixed Dome        | 7. USB / Audio Y-cable              |
| 2. Torx Wrench            | 8. GV-IPCAM H.264 Quick Start Guide |
| 3. Self Tapping Screw x 2 | 9. GV-IPCAM H.264 Software CD       |
| 4. Screw Anchor x 2       | 10. GV-NVR Quick Start Guide        |
| 5. Cable Stopper x 1      | 11. GV-NVR Software DVD             |
| 6. Short-Body RJ-45 Plug  |                                     |

## Accessories

| Model No. | Name          | Details   |
|-----------|---------------|---|
| GV-PA191  | PoE Adapter   |  <p>Weight: 130 g (0.29 lb)<br/>Dimensions: 43 x 69 x 40 mm (1.69" x 2.72" x 1.57")</p>  |
| GV-WiFi   | Adaptor       |  <p>Weight: 20 g (0.04 lb)<br/>Dimensions: 15 x 15 x 155 mm (0.59" x 0.59" x 6.10")<br/>Supplied with mini USB to standard USB adapter.</p> |
|           | Power Adapter | Power adapters are available in 4 regions: U.S.A., Australia, U.K, Europe and Brazil.   |
|           | GV-POE Switch | The GV-POE Switch is designed to provide power along with network connection for IP devices. The GV-POE Switch is available in various models with different numbers and types of ports.                                      |