

GV-SD010-S Outdoor IP Speed Dome



- Provide 18X, 36X
- CIF and D1 resolution
- H.264, MPEG4 and MJPEG
- Ingress protection (IP66)
- 2 way audio
- Digital In x 4, Digital Out x 1
- Preset speed up to 400°/sec.
- Auto-calibration
- Digital image flip
- Minimum illumination 0.01 Lux (B/W)
- Wide dynamic range
- 16 languages on web interface

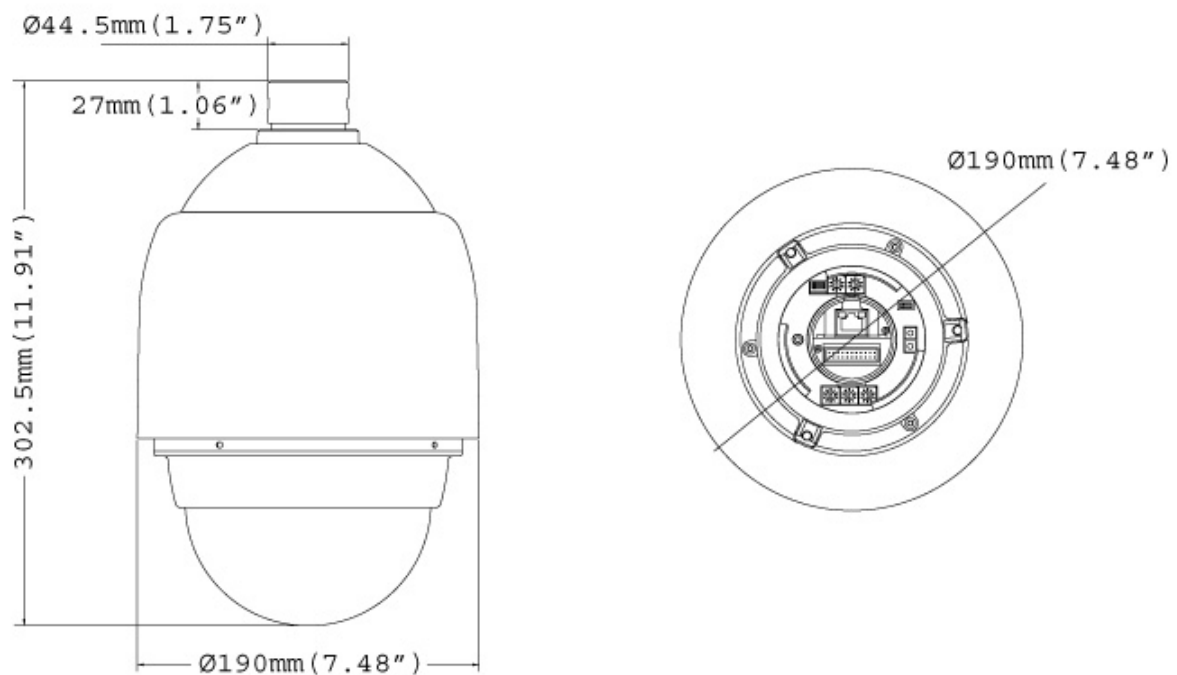
Introduction

The GV-IP Speed Dome provides variable pan/tilt speeds ranging from a fast patrol of 400° per second to a slow ramble of 5° per second with 0.225° pan accuracy for fast and accurate tracking ability. The 360° endless rotation and -10°~190° tilt travel make tracking the object passing directly beneath the GV-IP Speed Dome. A maximum of 256 preset points can be programmed for precise location of target areas, and users can also define 8 sequences, 4 auto-pan modes and 4 cruise routes for the Dome to operate automatically.

The GV-IP Speed Dome provides 4 alarm inputs and 1 alarm relay output, and the alarm management can be done through the network as well.

Overview

- Dimensions



- Panel



Available Models

- GV-SD010-S18X
- GV-SD010-S36X

Specifications

		GV-SD010-S18X	GV-SD010-S36X
Camera			
Image Sensor		1/4" Exview CCD	
Optical Zoom		18x	36x
Digital Zoom		12x	
Effective Pixels	NTSC	380k	
	PAL	440k	
Horizontal Resolution	NTSC	530 TVL	
	PAL	530 TVL	
Scanning System		NTSC / PAL	
Synchronization		Internal / Line Lock	
Video Output		1.0 Vp-p / 75 Ω, BNC	
S/N Ratio		> 50 dB (AGC Off)	
Minimum Illumination		0.07 lux; 0.01 lux (B/W)	0.1 lux; 0.01 lux (B/W)
Focal Length		4.1 ~ 73.8 mm	3.4 ~ 122.4 mm
Focus Mode		Auto / Manual	
White Balance		Auto / Manual	
Iris Control		Auto / Manual	
Electronic Shutter	NTSC	1/1 ~ 1/10k s	
	PAL	1/1 ~ 1/10k s	
AGC Control		Auto / Manual	
Back Light Compensation		On / Off	
Video			
Video Codec		H.264, MPEG4, MJPEG	
Video Resolution	NTSC	704 x 480, 704 x 480 De-interlace, 352 x 240	
	PAL	704 x 576, 704 x 576 De-interlace, 352 x 288	
Frame Rate		30/25 fps (60/50 Hz) at D1	
Audio			
Audio input/output		2-way audio, stereo jack, ø 35 mm	
Audio Codec		G.711	
Network			
Interface		10/100 Base-T Ethernet, RJ-45 connector	
Protocol		HTTP, HTTPS, TCP, UDP, SMTP, FTP, DHCP, NTP, UPnP, DynDNS, 3GPP/ISMA, RTSP, PSIA, QoS(DSCP), SNMP	

Web Interface	
Installation & Management	Web-based configuration
Firmware Upgrade	Remote upgrade through Web Browser IP Device Utility included in the Software DVD
Access from Web Browser	live view, video recording, PTZ control, preset setting, bandwidth control, image snapshot, digital I/O control, 2-way audio, Picture-in-Picture (PIP), Picture-and-Picture (PAP), Wide Angle Lens Dewarping (WALD)
Language	Czech / Danish / English / French / German / Hebrew / Hungarian / Italian / Japanese / Polish / Portuguese / Russian / Serbian / Simplified Chinese / Spanish / Traditional Chinese
Operation	
Pan Travel	360° endless
Tilt Travel	-10° ~ 190°
Manual Speed	0.5° ~ 90°/s
Preset	256
Preset Accuracy	0.225°
Preset Speed	5° ~ 400°/s
Sequence	8
Auto Pan	4
Cruise	4
Privacy Mask	24
Proportional Pan & Tilt	On / Off (Pan and tilt speed proportional to zoom ratio)
Resume after Power Loss	Yes
Home Function	Preset, Sequence, Auto pan, Cruise
Auto Flip	Digital / Mechanical / Off
Digital Slow Shutter	On / Off
Motion Detection	On / Off
Wide Dynamic Range	On / Off
Day/Night: Mechanical IR Cut Filter	On / Off
Image Inverse	On / Off
Image Freeze	On / Off
Sensor Input	4
Alarm Output	1
Alarm Reaction	Preset, Sequence, Auto pan, Cruise
General	
Operating Temperature	-45°C ~ 50°C (-49°F ~ 122°F)
Humidity	20% ~ 90% (non-condensing)
Ingress Protection	IP66
Dimensions	ø 172 x 302.5 mm (6.7" x 11.9") ø 190 x 302.5 mm (7.5" x 11.9") with sunshield
Weight	2.6 kg (5.7 lb)
Power Source	24V AC ± 10%, 3A
Max. Power Consumption	65 W (with Heater)
Fan	On: 35°C (95°F)
Heater	On: -7°C (19.4°F) ; Off: 3°C (37.4°F)
Regulatory	CE, FCC, RoHS
Applications	
Network Storage	GV-NVR, GV-System, GV-Backup Center, GV-Recording Server
Smart Device Access	- GV-Eye for Android smartphone, tablet, iPhone, and iPod Touch- GV-Eye HD for iPad
Live Viewing	IE , GV-MultiView
CMS Server support	GV-Control Center, GV-Center V2, GV-VSM

Optional Accessories

Optional accessories can be ordered separately depending on the application requirements. Contact your dealer for more information.

Model Number	Name	Details
81-D7H03-ST1	Straight Tube (25 cm) 	Height: 250 mm (9.8") Diameter: 50 mm (2") Weight: 1 kg (2.2 lb) Supplied with rubber washer-8 x 1, pendent tube washer x 1, spring washer -8 x 1, waterproof rubber x 1, M8-12 screw x 1
81-D7H03-ST2	Straight Tube (50 cm) 	Height: 500 mm (19.7") Diameter: 50 mm (2") Weight: 1.8 kg (4 lb) Supplied with rubber washer-8 x 1, pendent tube washer x 1, spring washer -8 x 1, waterproof rubber x 1, M8-12 screw x 1
81-D7H03-WMP (w/ anti-drop wire) 81-D7H32-WMP (w/o anti-drop wire)	Mini Pendent Mount 	Dimensions (L x W x D): 184 x 104 x 115.2 mm (7.24" x 4.09" x 4.54") Weight: 0.6 kg (1.2 lb) Supplied with rubber washer-8 x 1, pendent tube washer x 1, spring washer-8 x 1, M8-12 screw x 1.
81-D7H03-WSP (w/ anti-drop wire) 81-D7H32-WSP (w/o anti-drop wire)	Standard Pendent Mount 	Dimensions (L x W x D): 348 x 104 x 138.6 mm (13.7" x 4.1" x 5.5") Weight: 1.5 kg (3.3 lb) Supplied with rubber washer-8 x 1, pendent tube washer x 1, spring washer-8 x 1, M8-12 screw x 1
81-D7H05-CST	Corner Plate Mount 	Dimensions (L x W x D): 222 x 204 x 117 mm (8.7" x 8" x 4.6") Weight: 2 kg (4.4 lb) Supplied with washer-8 x 4, spring washer x 4, M8-16 screw x 4, M8 nut x 4
81-D7H05-CTB	Corner Thin Box Mount 	Dimensions (L x W x D): 300 x 164 x 222 mm (11.8" x 6.5" x 8.7") Weight: 3.05 kg (6.7 lb) Supplied with washer x 4, M8-16 screw x 4, spring washer x 4 Power Box can be set inside the thin box.
81-D7H05-PTB	Pole Thin Box Mount 	Dimensions (L x W x D): 291 x 136 x 242 mm (11.5" x 5.4" x 9.5") Weight: 3.1 kg (6.9 lb) Supplied with M8-16 screw x 4, washer x 4, spring washer x 4, stainless steel straps x 4 Power Box can be set inside the thin box.

Model Number	Name	Details
81-D7H05-PTD	Pole Thin Direct Mount 	Dimensions (L x W x D): 232 x 136 x 60 mm (9.1" x 5.4" x 2.4") Diameter: 112~114 mm (4.4" ~ 5.5") Weight: 0.7 kg (1.6 lb) Supplied with stainless steel strap x 4, M8-16 screw x 4, washer x 4
81-D7H05-WBM	Wall Box Mount 	Dimensions (L x W x D): 270 x 166 x 95 mm (10.6" x 6.5" x 3.7") Weight: 2.2 kg (4.84 lb) Supplied with M8-16 screw x 4, washer x 4, spring washer x 4 Power Box can be set inside the wall box.
81-DH801-S01	5.8" Smoke Cover 	Diameter: 145 mm (5.7")
81-P1030-001	Power Box (Input: 110 -115V AC) 	Dimensions (L x W): 185.5 x 147 mm (7.3" x 5.8") Weight: 2.6 kg (5.8 lb) Output: 24VAC 72VA
81-P2030-001	Power Box (Input: 220 -230V AC) 	Dimensions (L x W): 185.5 x 147 mm (7.3" x 5.8") Weight: 2.6 kg (5.8 lb) Output: 24VAC 72VA

GV-IP Speed Dome Installation Methods

With the proper accessories, GV-IP Speed Dome can adapt to environment requirements to be installed differently. The table below lists a variety of installation methods and the optional accessories you need to purchase for different installation methods.

Installation Method	Optional Accessories Needed	
	Indoor Type	Outdoor Type
Ceiling Mount		
Surface Mount	Standard package is enough	N/A
Flush Mount	T-Bar Ceiling Mount	N/A
Straight Tube Mount	Straight Tube Indoor Mount Kit	Straight Tube
Wall Mount		
Standard Pendent Mount	Standard Pendent Mount Indoor Mount Kit	Standard Pendent Mount
Mini Pendent Mount	Mini Pendent Mount Indoor Mount Kit	Mini Pendent Mount
Wall Box Mount	Wall Box Mount Indoor Mount Kit Standard/Mini Pendent Mount	Wall Box Mount Standard/Mini Pendent Mount
Corner Mount		
Corner Plate Mount	Corner Plate Mount Indoor Mount Kit Standard/Mini Pendent Mount	Corner Plate Mount Standard/Mini Pendent Mount
Corner Thin Box Mount	Corner Thin Box Mount Indoor Mount Kit Standard/Mini Pendent Mount	Corner Thin Box Mount Standard/Mini Pendent Mount
Pole Mount		
Pole Thin Direct Mount	Pole Thin Direct Mount Indoor Mount Kit Standard/Mini Pendent Mount	Pole Thin Direct Mount Standard/Mini Pendent Mount
Pole Think Box Mount	Pole Think Box Mount Indoor Mount Kit Standard/Mini Pendent Mount	Pole Think Box Mount Standard/Mini Pendent Mount

Ceiling Mount Options

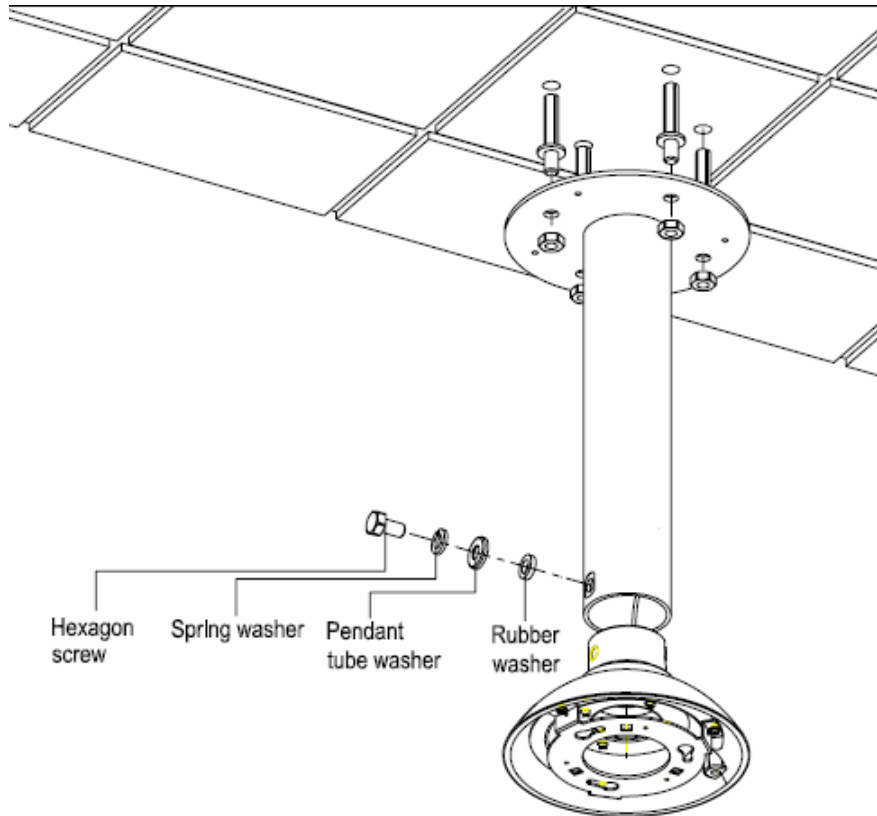
Surface Mount (Indoor Only)



Flush Mount (Indoor Only)

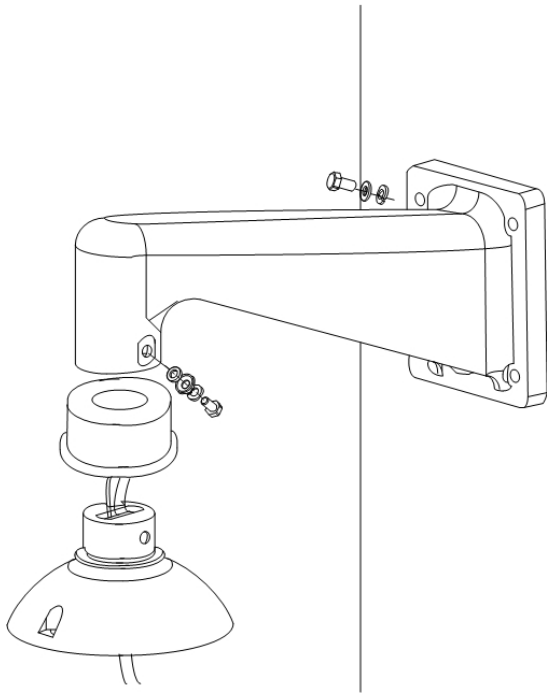


Straight Tube Mount

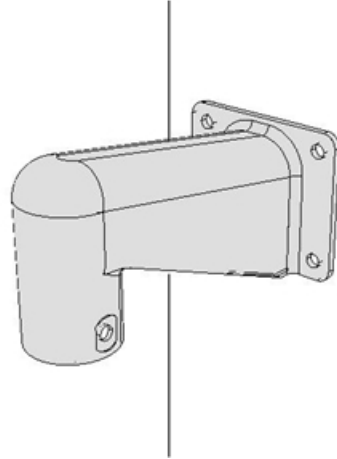


Wall Mount Options

Standard Pendant Mount

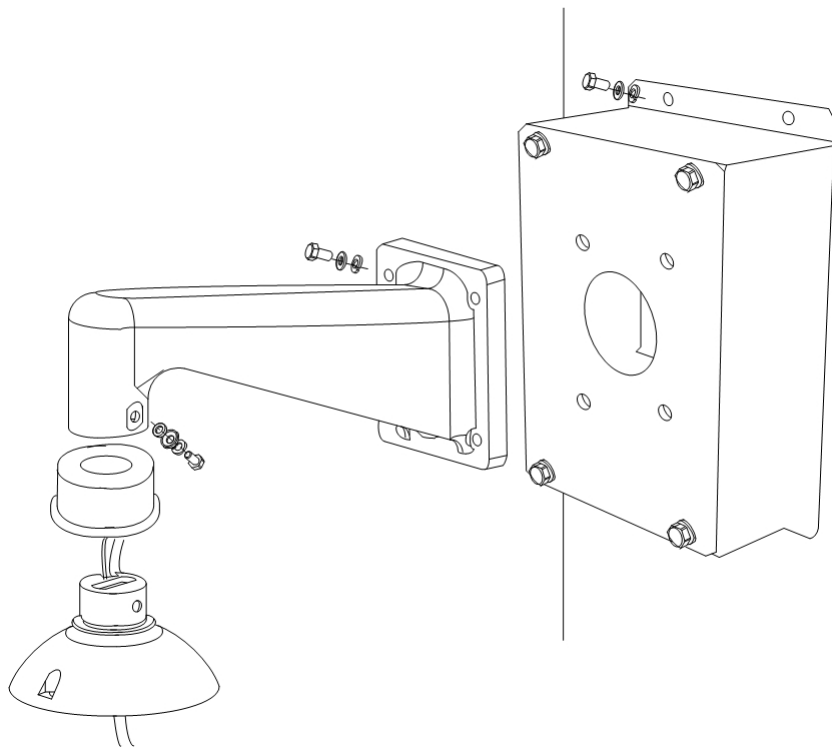


Mini Pendant Mount



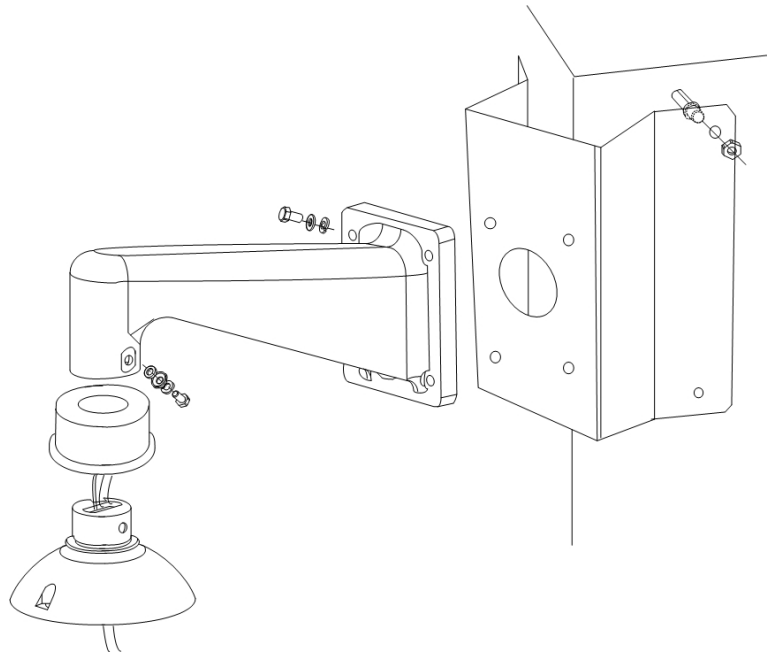
Wall Box Mount

The Power Box can be set inside the wall box.



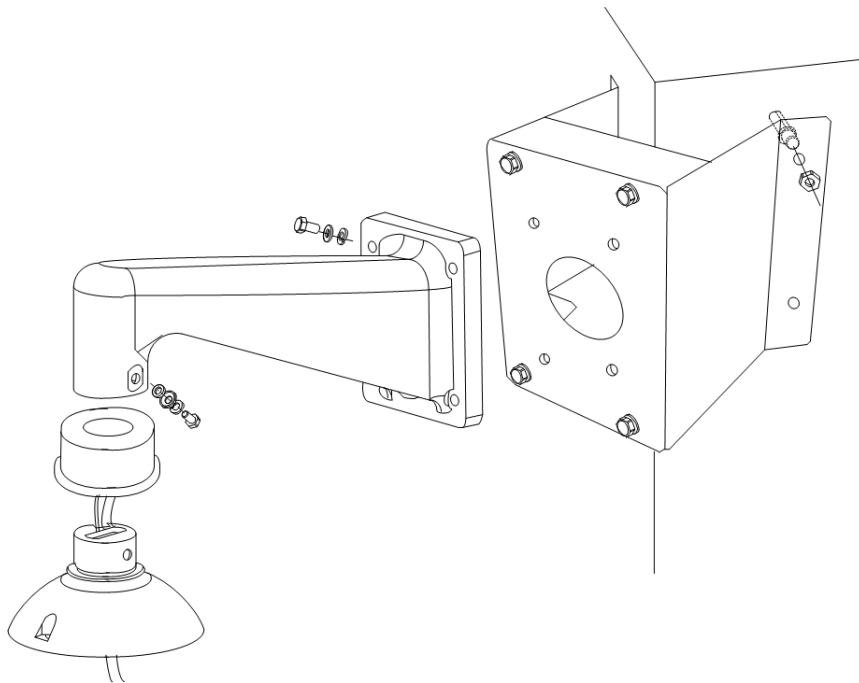
Corner Mount Options

Corner Standard Mount



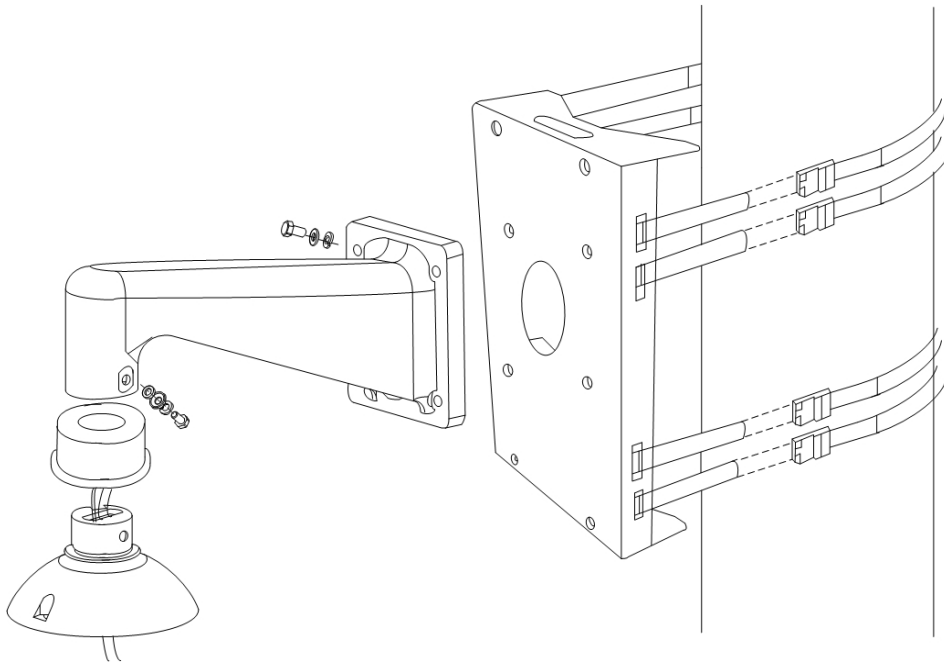
Corner Thin Box Mount

The Power Box can be set inside the thin box.



Pole Mount Options

Pole Thin Direct Mount



Pole Thin Box Mount

The Power Box can be set inside the thin box.

